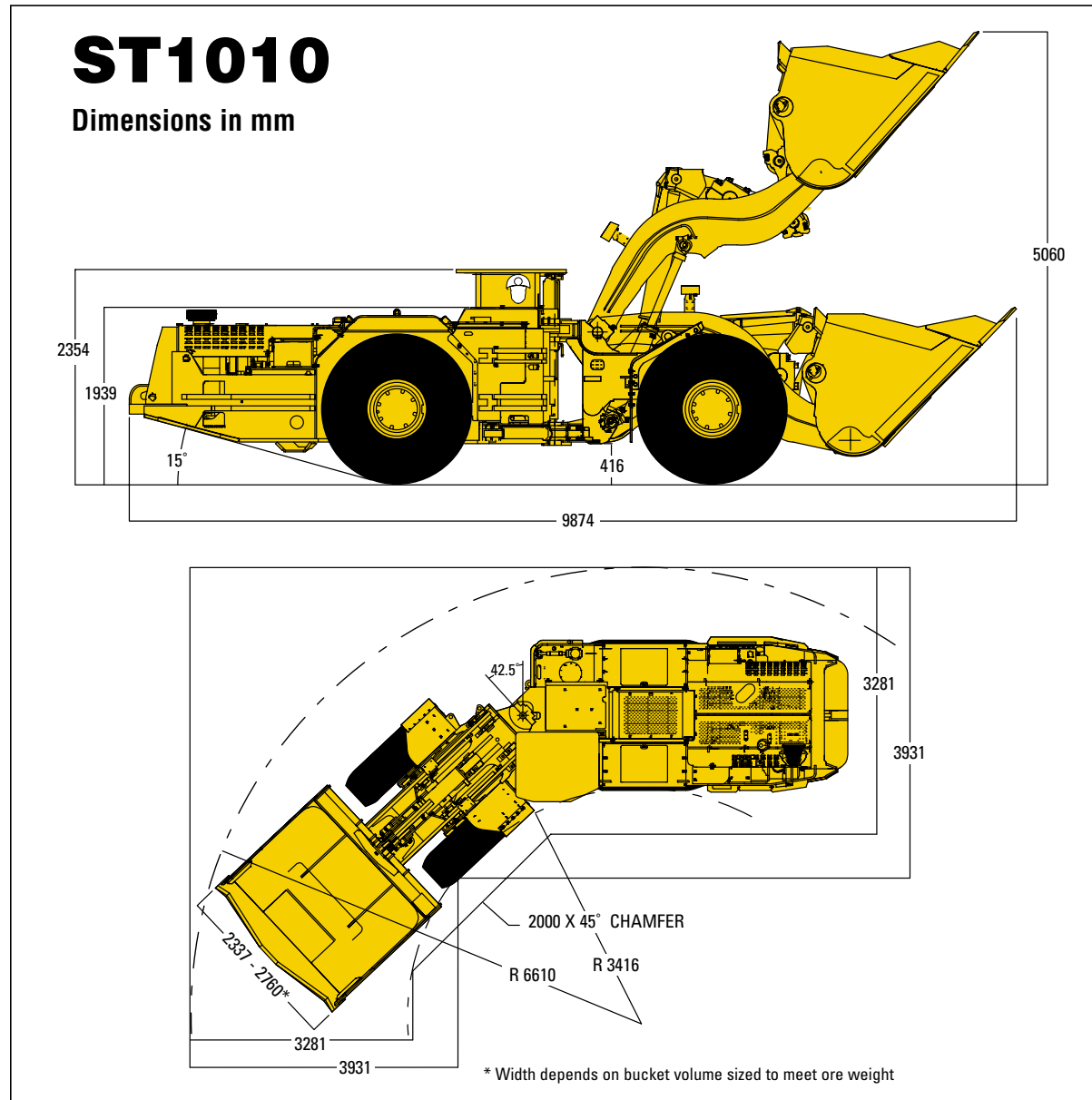


Atlas Copco

10 Tonne Capacity Scooptram® LHD Atlas Copco Wagner Inc.



Main Components

- Canopy.....MHSA-ISO ROPS/FOPS Certified
- Bucket Volume.....5.0 m³ (Standard)
- Engine.....Detroit Diesel
- Axles.....Spicer
- Brakes.....Atlas Copco Wagner SAHR®



10 Tonne Capacity Scooptram® LHD

ST1010

Capacity

Tramming Capacity.....10000 kg (22,000 lbs)

Engine (Standard)

Detroit Diesel.....Series 50 DDEC
187 kW (253 hp)

Engine (Optional)

Deutz Diesel

Exhaust System

Exhaust Conditioner Silencer & Purifier

Brakes

Service.....SAHR®

Spring Applied Hydraulically Released; Fully Enclosed,
Force Cooled, Multiple Wet Discs at Each Wheel End

Parking and Emergency.....SAHR®

Tires

Tire Size, Front & Rear.....18.00 x 25, 24 Ply, L-5S

Operator's Arrangement

Side Seated Operator for Bi-Directional Operation and
Maximum Visibility, MSHA-ISO ROPS/FOPS Certified Canopy
or Cab with Back Protection

Operating Weight (Approximately)

Empty.....26300 kg (58,000 lbs)

Selected Options:

- Enclosed Cabin
- Radio Remote Control
- Fire Suppression